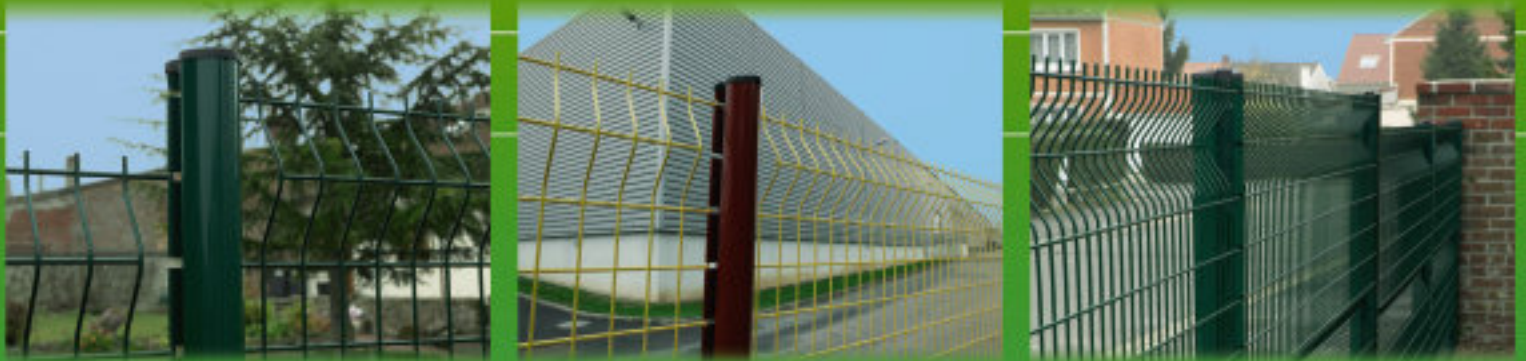


AXIS® SR

Security and Elegance



C R I M P E D W E L D E D M E S H F E N C I N G

RIGIDITY

AXIS® SR is the latest addition to the AXIS® range. It is characterised by its small mesh size, large wire diameter and reinforced crimps, which make it a sturdy fencing solution perfect for protecting high-risk sites.

ORIGINALITY

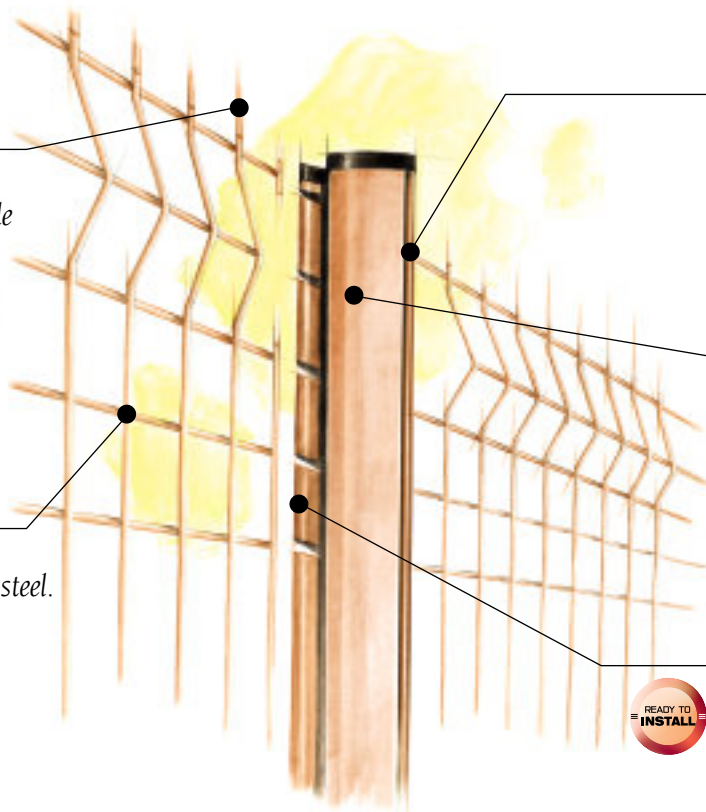
Offering roughly the same security as double-wired flat panels, the AXIS® SR combines rigidity (100 x 50mm) with smooth lines and is the only product of its kind on the market today.

Security

- Anti-intruder spikes.
- Impossible to dismantle once installed.
- 100 x 50mm mesh.
- 5 and 6mm wires diameters.

Quality finish

- High-adhesion plastic coating on galvanised steel.



Style

- Combine AXIS Design® fencing with the OPPIDUM Design® gate for a stylish look that won the Janus award for industry.

Colour range



- 200 RAL colours.



- "Collection Elégance®": 10 colours with sanded finish.

Easy to install



- Rapid installation in forward sequence - no accessories required.
- Curves, corners, slopes... AXIS® SR is adaptable to all ground constraints.



* To benefit from the DIRICKX 10 years Professional Guarantee against corrosion, please ask us for our "request for guarantee" document. The guarantee is provided in accordance with the general conditions governing attribution.

FINISH

QUALITY:

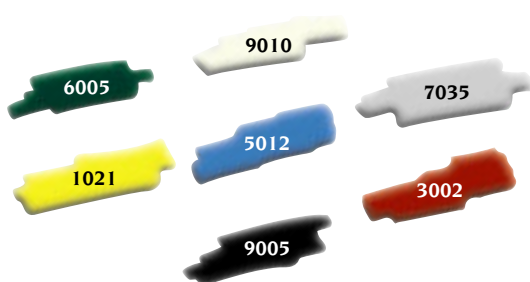
Post: EN 10147 compliant galvanised strip

Panel: EN 10244-2 compliant galvanised iron wires
EN 10223-7 compliant welded panels

Post and panel plastic coating: EN 10245-4 compliant high-adhesion polyester

RANGE:

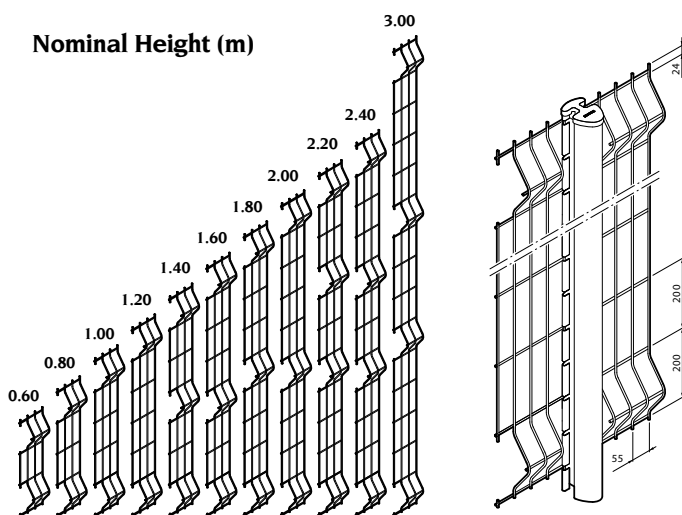
- Available plastic coated in 200 RAL colours:
7 standard colours (other RAL colours on request)



- "Collection Élégance®" plastic coated: 10 colours with sanded finish for the latest in modern architecture



TECHNICAL SPECIFICATION



Wire diameter (mm)	Mesh (mm)	Panel width (m)	Nominal panel height (m)	Post centres (m)	Associated post
Horizontal : 6.00 Vertical : 5.00	100 x 50	2.480	0.60	2.536	Post AXIS Design®
			0.80		
1.00					
1.20					
1.40					
1.60					
1.80					
2.00					
2.20					
2.315			2.40		
3.00					

Recommendation: for fences ≤ 1.50 m, install the spikes in the downwards position.

PANEL / POST ASSOCIATION

AXIS® SR actual panel height (m)	0.60	0.80	1.00	1.20	1.40	1.60	1.80	2.00	2.20	2.40	3.00
AXIS® Design post length (m)											
Deep post hole	1.00	1.20	1.40	1.60	1.80	2.00	2.20	2.50	2.70	2.90	3.70
Shallow post hole	0.80	1.00	1.20	1.40	1.60	1.80	2.00	2.40	2.50	2.70	3.50

CONFIGURATION WITH AXIS DESIGN® POSTS

- Concrete gravel board (0.25 m or 0.50 m).
- Base plate with welded posts for use on concrete or on top of wall (Note: the wall must be wide enough to support the plate).
- Wall-mounted (standard and facade).
- Single or double extension (for increased protection).

* COMPAGNIE 360 EURO RSCG - DIRICKX reserves the right to modify and improve their products at any time without prior notice - Pictures and colours are not contractual - 01/2008



SIA - MPL - SRL

Via Cisa Ligure 28/32 - 42041 BRESCELLO (Reggio Emilia)
TEL. +39 0522 684543 - Fax +39 0522 684544 - www.siampl.com

